



VACUUM FITTINGS

1/6

Type of fittings	Symbol		A mm	B mm	C mm	D mm	E mm	Drawing
	product index	acc. to AP-0.00						
Swing clamp	KA16	DN10-16	60,5	16	-	22	-	
	KA25	DN20-25	72,5	16	-	30	-	
	KA40	DN32-40	90	16	-	46	-	
Pressing collar	KY16	DN16	60	45	20,2	6,6	8	
	KY25	DN25	70	55	28,3	6,6	8	
	KY40	DN40	100	60	45	9	10	
Centering ring	KH16	DN16	17	15	18,5	-	-	
	KH25	DN25	26	24	28,5	-	-	
	KH40	DN40	41	39	43	-	-	



VACUUM FITTINGS

2/6

Type of fittings	Symbol		A	B	C	D	E	Drawing
	product index	acc. to AP-0.00	mm	mm	mm	mm	mm	
Centering ring (reduction)	KH10-16	DN10-16	17	10	12	18,5	-	
	KH20-25	DN20-25	26	21	22	28,5	-	
	KH32-40	DN32-40	41	32	34	43	-	
O-ring	KG16	DN16	18	-	-	-	-	
	KG25	DN25	28	-	-	-	-	
	KG40	DN40	42	-	-	-	-	
KZ16-40 connector	KZ16	DN16	25	16	20	-	-	
	KZ25	DN25	30	24	28	-	-	
	KZ40	DN40	30	40	44,5	-	-	



VACUUM FITTINGS

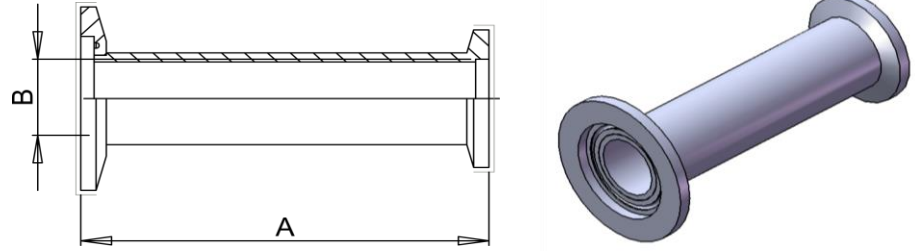
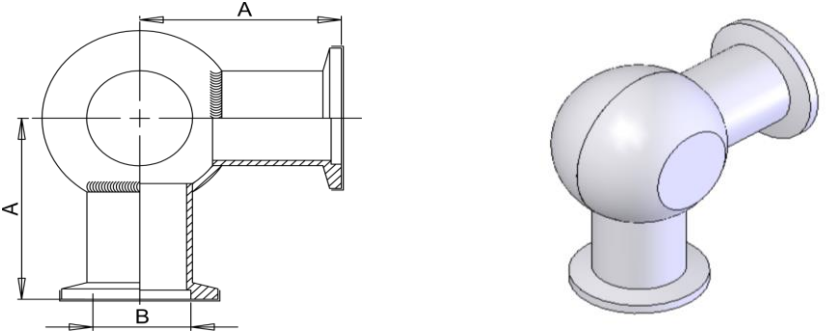
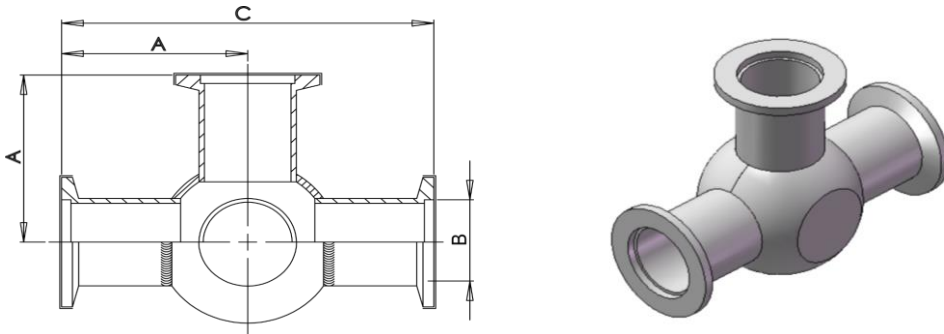
3/6

Type of fittings	Symbol		A	B	C	D	E	Drawing
	product index	acc. to AP-0.00	mm	mm	mm	mm	mm	
Hose connector	AP16Z-50-01	DN16	17	14	40	-	-	
	AP25Z-50-01	DN25	28	23	45	-	-	
	AP40Z-50-01	DN40	43	38	55	-	-	
Blank flange 16-40	KX16	DN16	5	-	-	-	-	
	KX25	DN25	5	-	-	-	-	
	KX40	DN40	5	-	-	-	-	
Connector	AP16Z-3-01	DN16	80	16	-	-	-	
	AP25Z-3-01	DN25	100	24	-	-	-	
	AP40Z-3-01	DN40	130	40	-	-	-	



VACUUM FITTINGS

4/6

Type of fittings	Symbol		A	B	C	D	E	Drawing
	product index	acc. to AP-0.00	mm	mm	mm	mm	mm	
Reducing connector	AP16Z-34-00	DN40/16	27,5	16	-	-	-	
	AP25Z-34-00	DN16/25	80	16	-	-	-	
	AP40Z-34-00	DN25/40	100	24	-	-	-	
Elbow	AP16Z-31-00	DN16	40	16	-	-	-	
	AP25Z-31-00	DN25	50	24	-	-	-	
	AP40Z-31-00	DN40	65	40	-	-	-	
Tee piece	AP16Z-32-00	DN16	40	16	80	-	-	
	AP25Z-32-00	DN25	50	24	100	-	-	
	AP40Z-32-00	DN40	65	40	130	-	-	



VACUUM FITTINGS

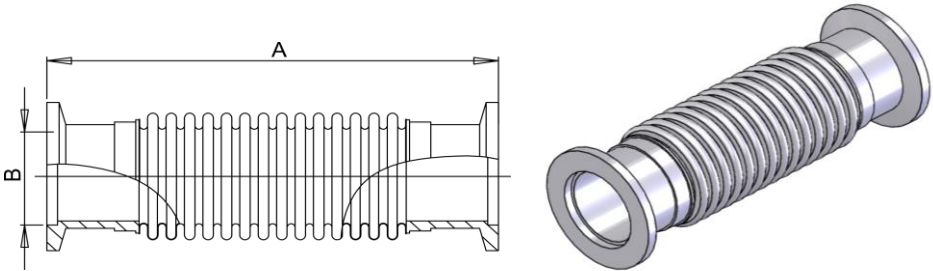
5/6

Type of fittings	Symbol		A	B	C	D	E	Drawing
	product index	acc. to AP-0.00	mm	mm	mm	mm	mm	
Cross (4 way)	AP16Z-33-00	DN16	40	16	80	-	-	
	AP25Z-33-00	DN25	50	24	100	-	-	
	AP40Z-33-00	DN40	65	40	130	-	-	
Flexible connector 16-40	AP16Z-40-00	DN16	60	16	-	-	-	
	AP25Z-40-00	DN25	100	24	-	-	-	
	AP40Z-40-00	DN40	130	40	-	-	-	
Vacuum hose 16-40 (PVC)	AP16Z-50-00	DN16	wg życzeń odbiorcy	16	-	-	-	
	AP25Z-50-00	DN25		24	-	-	-	
	AP40Z-50-00	DN40		40	-	-	-	



VACUUM FITTINGS

6/6

Type of fittings	Symbol		A	B	C	D	E	Drawing
	product index	acc. to AP-0.00	mm	mm	mm	mm	mm	
Vacuum hose 16-40 (stainless steel)	AP16Z-60-00	DN16	wg życzeń odbiorcy	16	-	-	-	
	AP25Z-60-00	DN25		24	-	-	-	
	AP40Z-60-00	DN40		40	-	-	-	

Different types of fittings - on request.

www.tepro.com.pl